

specialty lighting reserves the right to make changes without prior notice. (03.24.2025)  
 Aluminum body with end caps and attachment clips. Height 1/2"x 5/8"

OLA12  
 OLA 1/2 height

OLA12 -

**Output**

- 27 - 2700 K 418 lm/ft 4.45 w/f
- 30 - 3000 K 418 lm/ft 4.45 w/f
- 35 - 3500 K 437 lm/ft 4.45 w/f
- 40 - 4000 K 448 lm/ft 4.45 w/f
- CRI 90

**Finish**

- AL - Aluminum Finish
  - WH - White
  - BK - Black
  - CU - Custom Color
- Specify RAL color

**Runs**

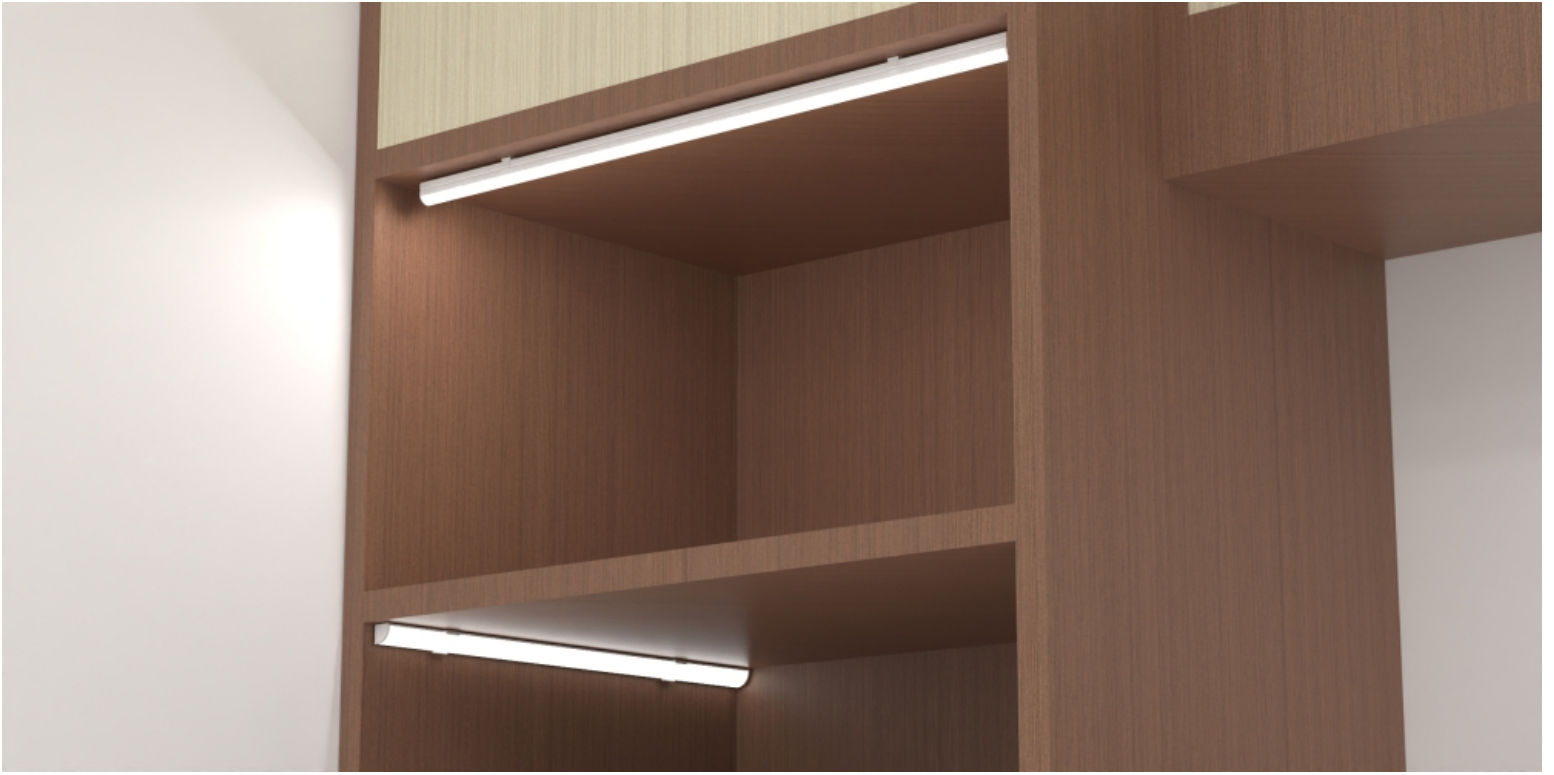
- A - 1' nominal module 12"
- Use for not even number in runs
- B - 2' nominal module 24"
- C - 3' nominal module 36"
- D - 4' nominal module 48"
- E - 5' nominal module 60"
- F - 6' nominal module 72"
- G - 7' nominal module 84"
- H - 8' nominal module 96"
- Total Run: (0 ft 0 in)

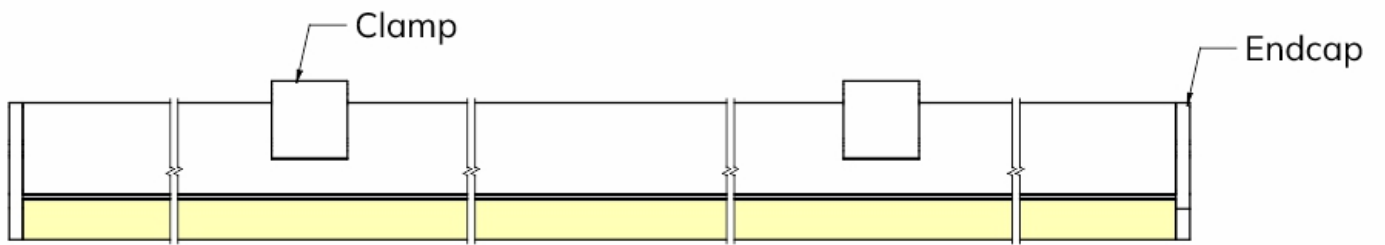
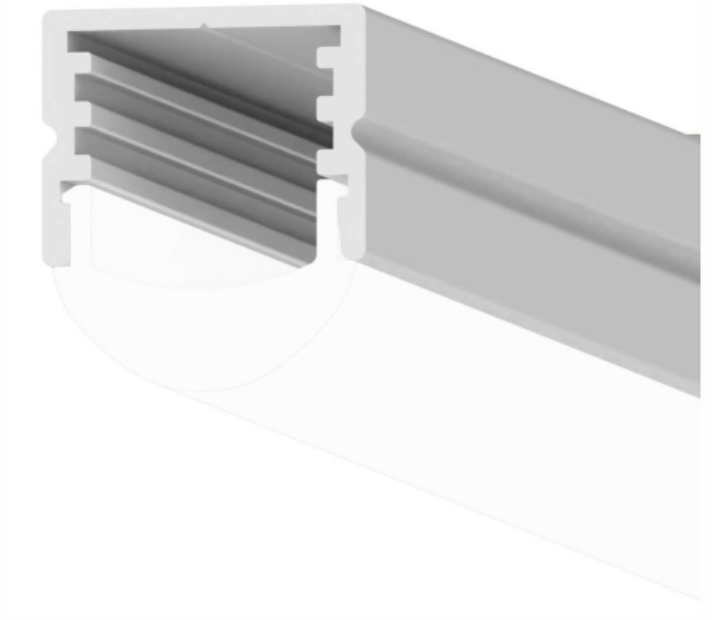
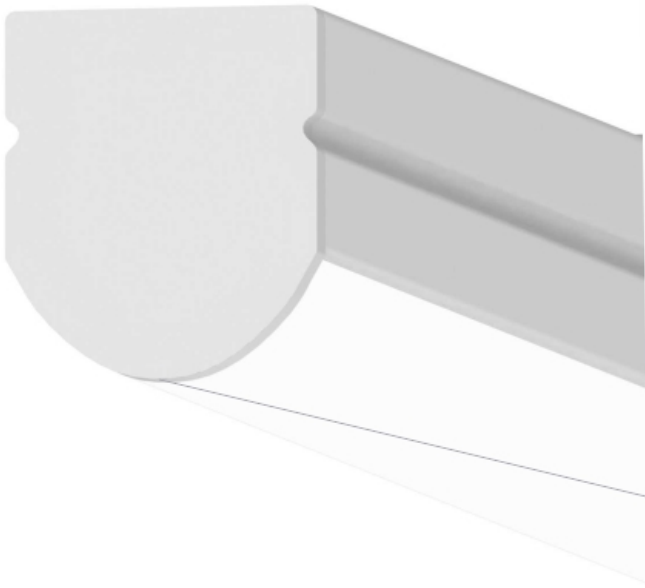
**Emergency**

- 00 - No Emergency
- EM - Emergency

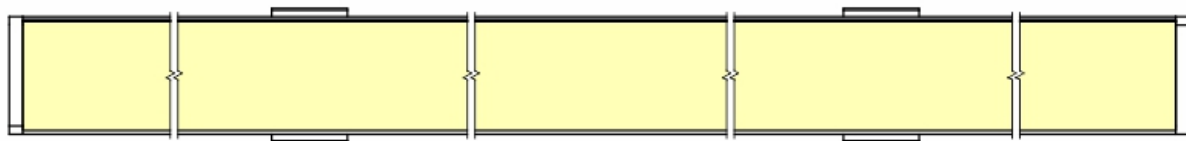
**Notes:**

Specialty Lighting architectural will generate submittals when having runs end caps and clips (installation, minimal 18" OC) by runs.





Front view



Bottom view



Driver Boxes

